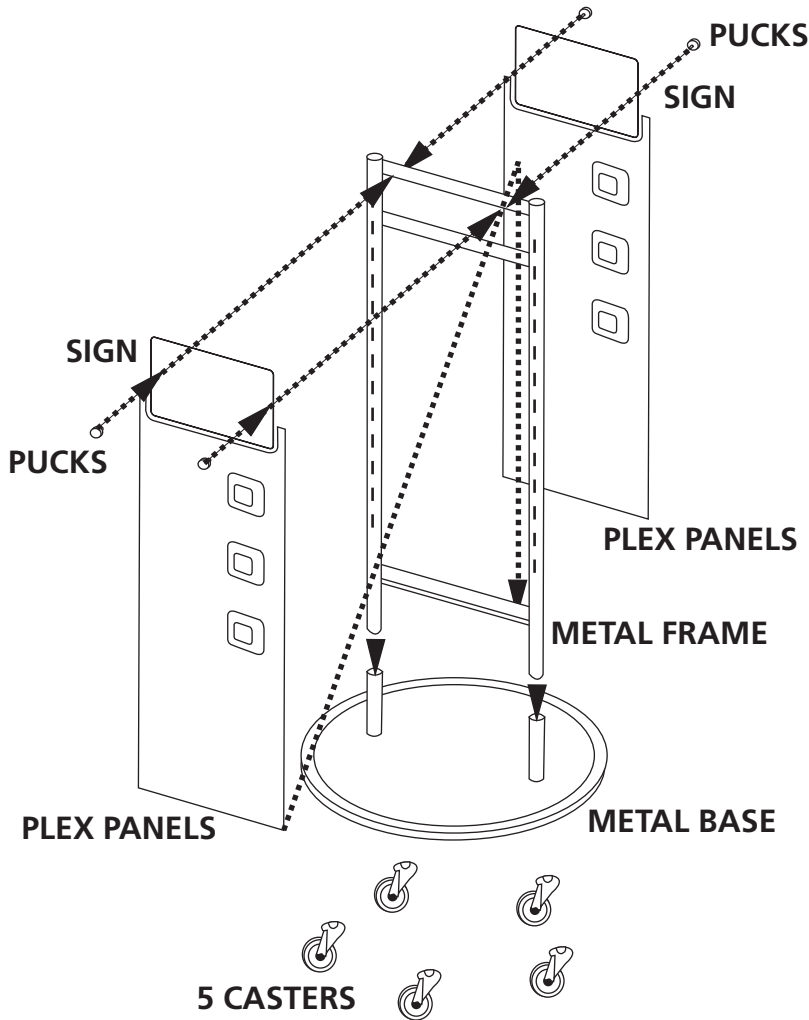


DISTRICT THREADS DISPLAY RACK

ASSEMBLY INSTRUCTIONS



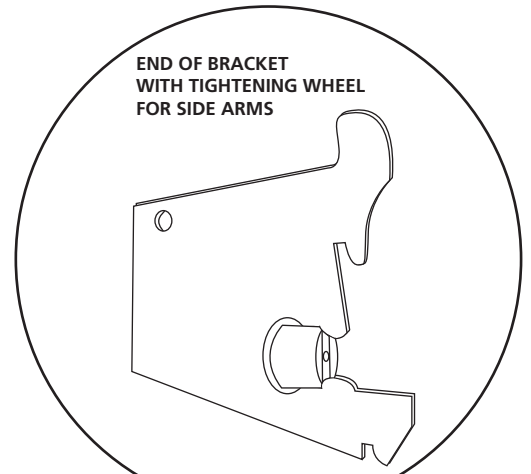
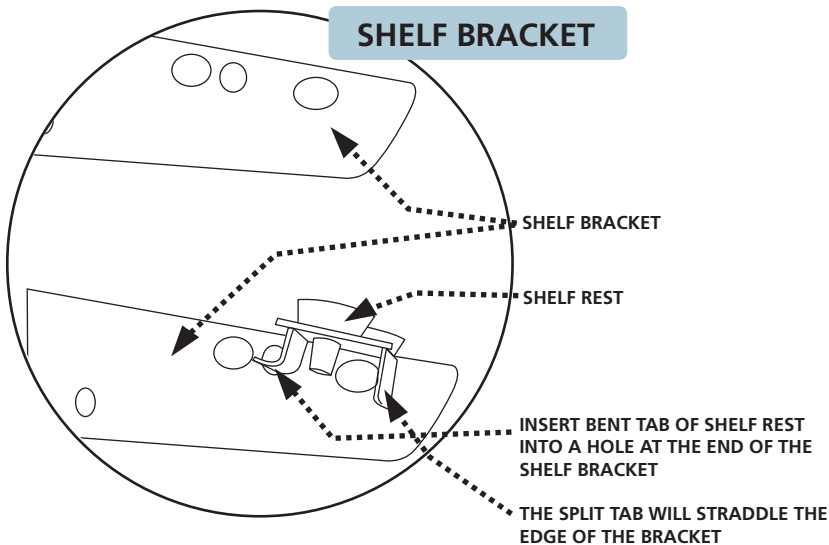
INSTALL CASTERS

**PUSH IN BUTTONS
SLIDE FRAME ON TO BASE POSTS
BUTTONS WILL CLICK INTO PLACE**

SLIDE PANELS BEHIND TABS

INSTALL SIGNS WITH PUCKS

SHELF BRACKET



TIGHTENING WHEEL IS REMOVABLE WHEN NECESSARY