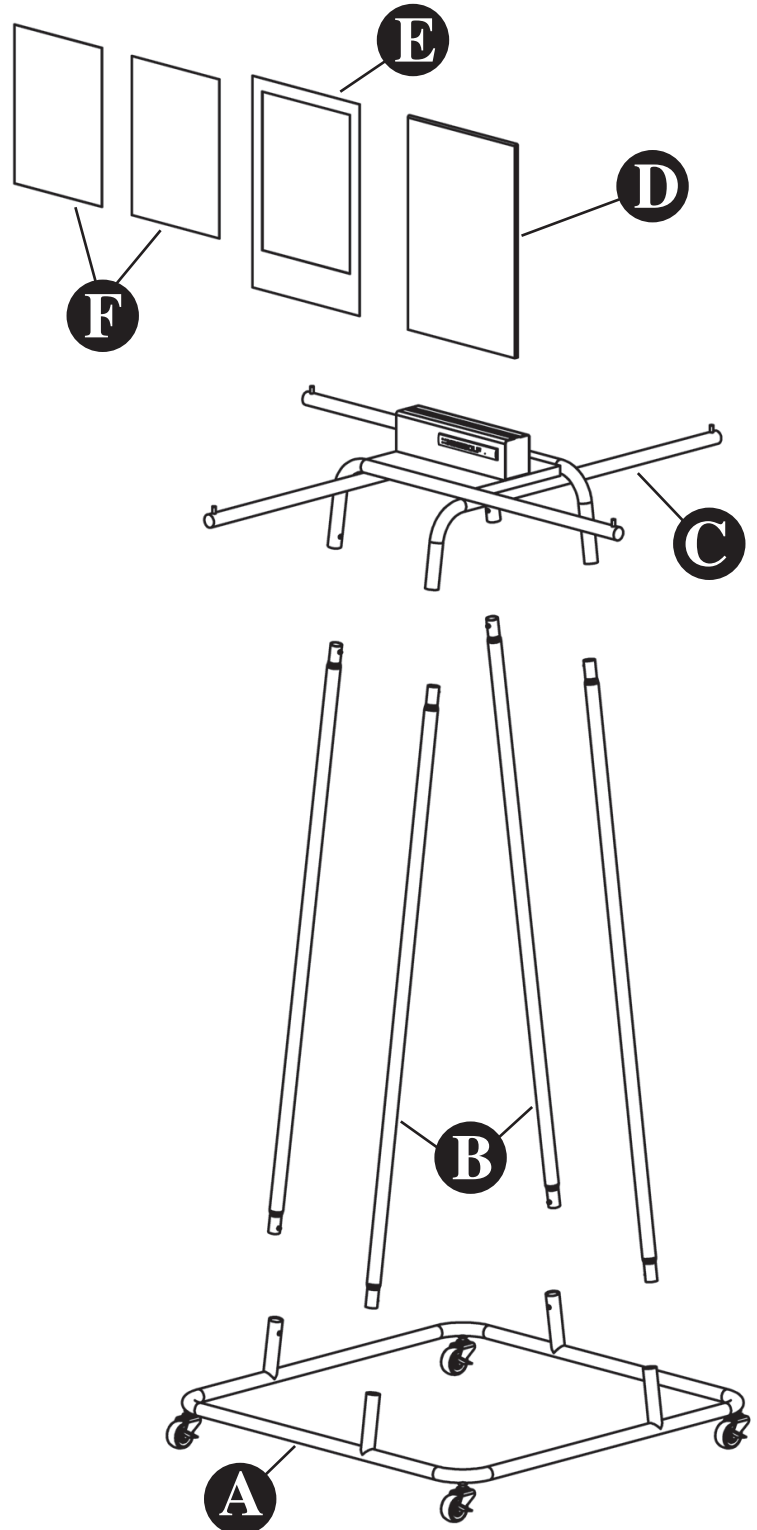
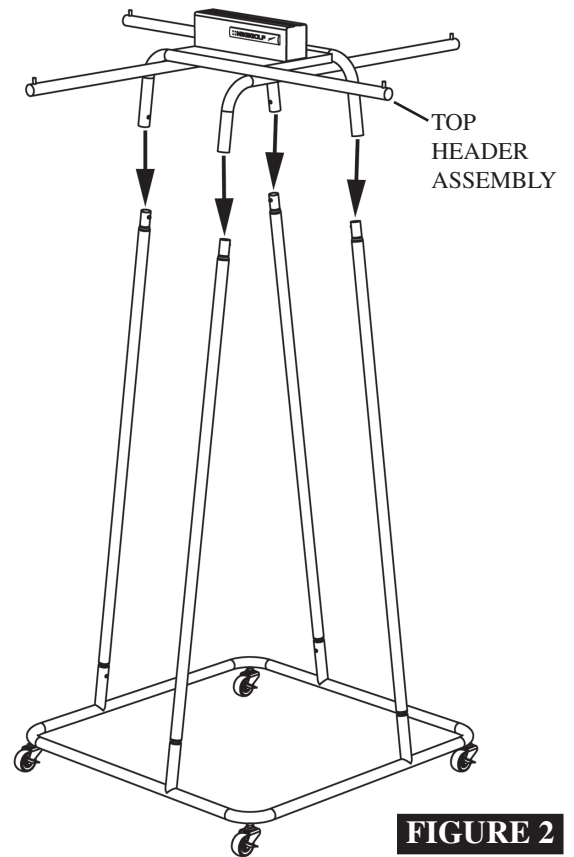
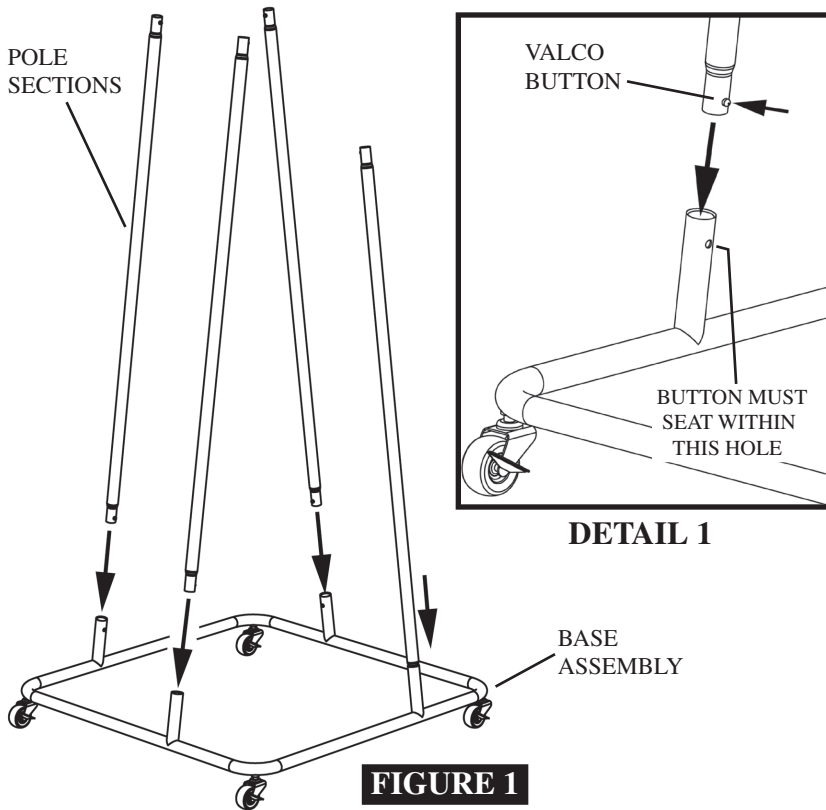


4-WAY FIXTURE WITH IMAGE FRAME & CASTERS

• COMPONENTS:

- A - (1) Base Assembly w/Casters
- B - (4) Pole Sections
- C - (1) Top Header Assembly
- D - (1) Clear Graphic Holder
- E - (1) Inner Graphic Frame
- F - (2) Graphic Inserts
(not included)





• ASSEMBLY INSTRUCTIONS . . .

1. Align the bottom ends of the four (4) POLE SECTIONS as shown in FIGURE 1 with the BASE ASSEMBLY. You will need to push in on the VALCO BUTTON (see DETAIL 1 above) in order to fully seat each POLE SECTION. Make sure the VALCO BUTTON is seated within the hole on each BASE ASSEMBLY pole.
2. Align the TOP HEADER ASSEMBLY with the tops of the POLE SECTIONS and seat into place. As before, make sure all VALCO BUTTONS are seated within the holes (see FIGURE 2).
3. Insert two (2) GRAPHIC INSERTS (not supplied) into the opening on the INNER GRAPHIC FRAME, then slide them into the CLEAR GRAPHIC HOLDER (see FIGURE 3). Align the bottom of the CLEAR GRAPHIC HOLDER with the slot found in the top of the TOP HEADER ASSEMBLY and seat into place (see FIGURE 3).
4. This completes the assembly of your NIKE 4-WAY FIXTURE with IMAGE FRAME and CASTERS.

