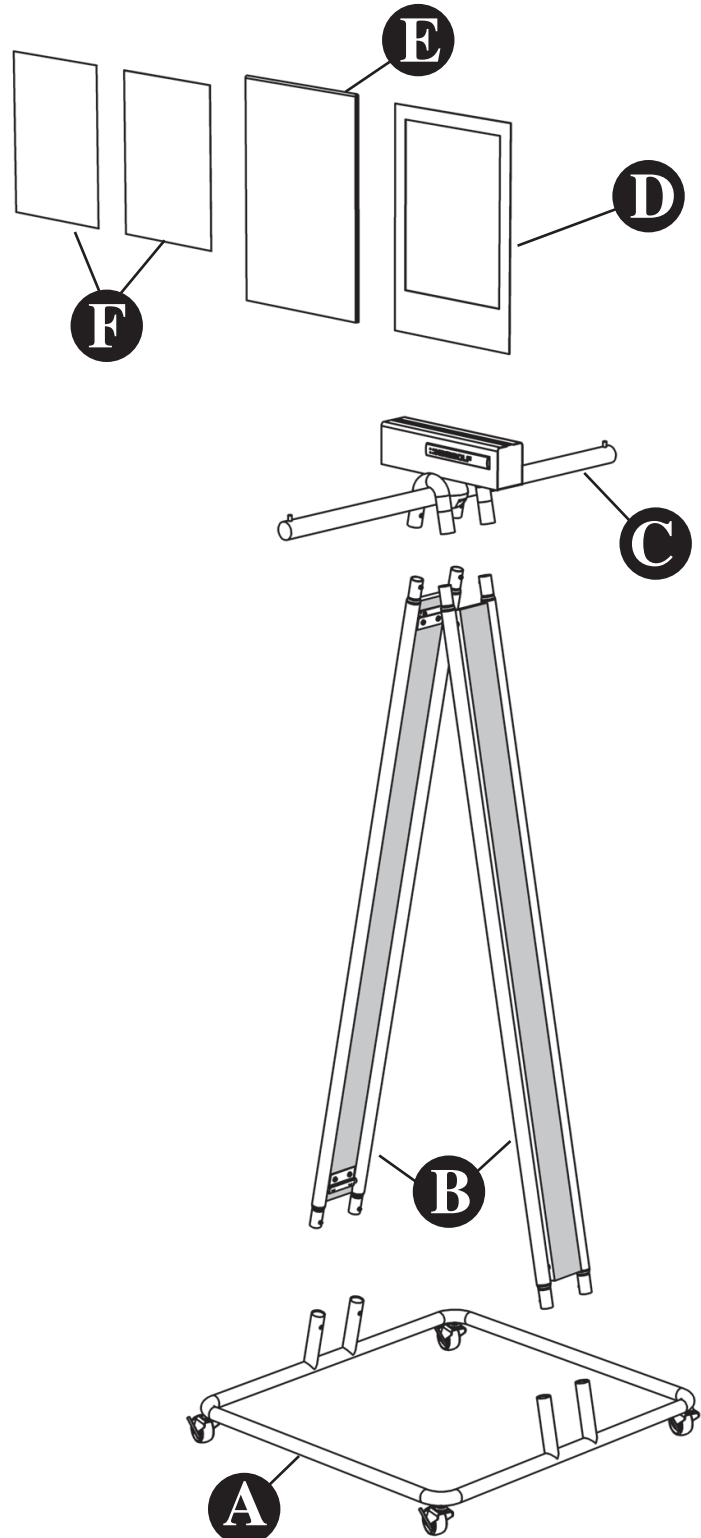
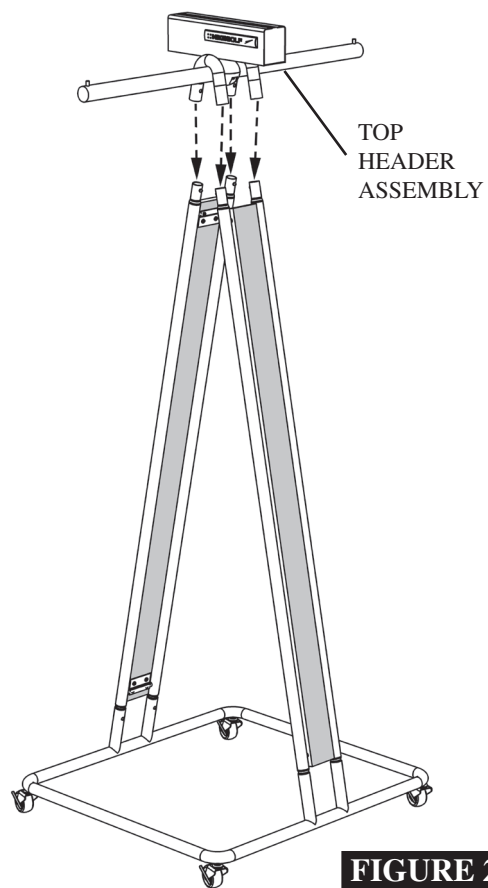
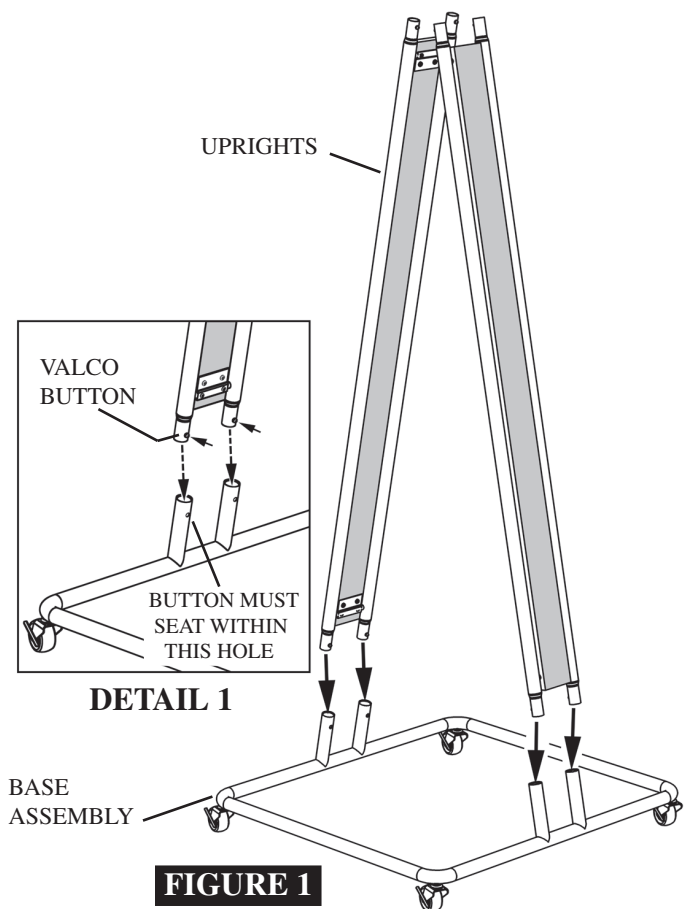


MINI A FIXTURE WITH IMAGE FRAME & CASTERS

• COMPONENTS:

- A - (1) Base Assembly w/Casters
- B - (2) Uprights
- C - (1) Top Header Assembly
- D - (1) Clear Graphic Holder
- E - (1) Inner Graphic Frame
- F - (2) Graphic Inserts





• ASSEMBLY INSTRUCTIONS . . .

1. Align the bottom ends of the two (2) UPRIGHTS as shown in FIGURE 1 with the BASE ASSEMBLY. You will need to push in on the VALCO BUTTONS (see DETAIL 1 above) in order to fully seat each UPRIGHT. Make sure the VALCO BUTTONS are seated within the holes on each BASE ASSEMBLY.
2. Align the TOP HEADER ASSEMBLY with the tops of the UPRIGHTS and seat into place. As before, make sure all VALCO BUTTONS are seated within the holes (see FIGURE 2).
3. Insert two (2) GRAPHIC INSERTS into the opening on the INNER GRAPHIC FRAME, then slide them into the CLEAR GRAPHIC HOLDER (see FIGURE 3). Align the bottom of the CLEAR GRAPHIC HOLDER with the slot found in the top of the TOP HEADER ASSEMBLY and seat into place (see FIGURE 3).
4. This completes the assembly of your NIKE MINI A FIXTURE with IMAGE FRAME and CASTERS.

