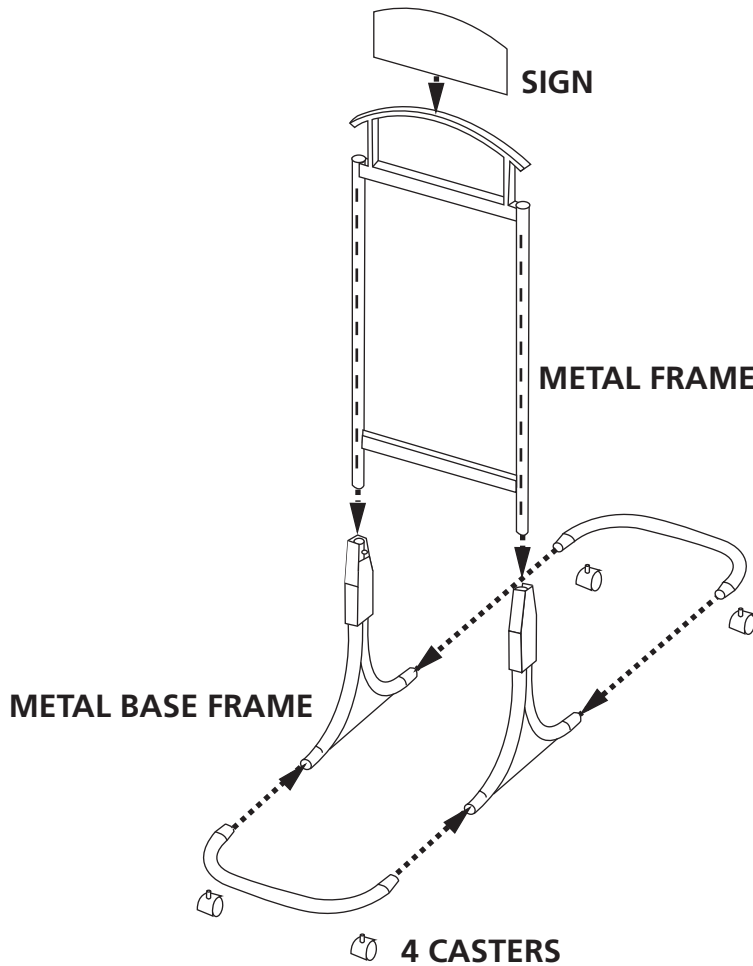


# BUDGET DISPLAY RACK

## ASSEMBLY INSTRUCTIONS

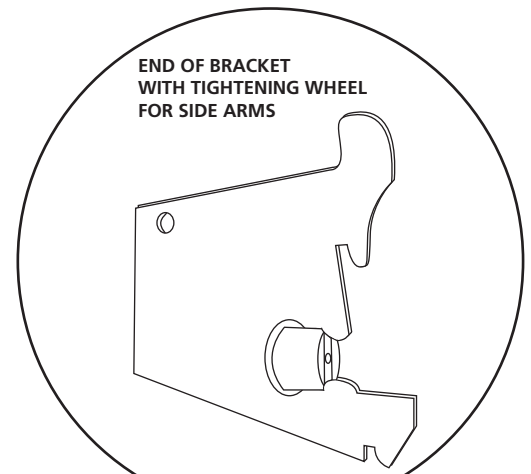
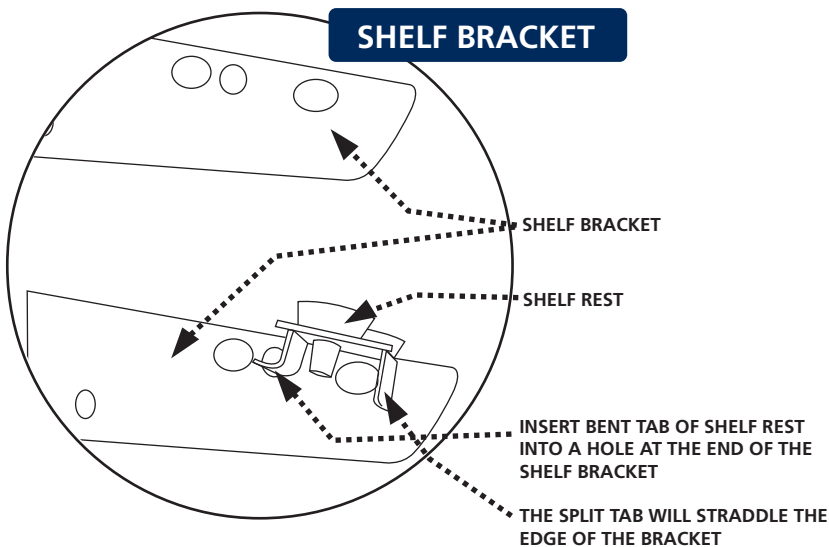


**INSTALL CASTERS**

**PUSH IN BUTTONS  
SLIDE BASE FRAME PARTS TOGETHER  
BUTTONS WILL CLICK INTO PLACE**

**PUSH IN BUTTONS  
SLIDE METAL FRAME ONTO  
METAL BASE FRAME  
BUTTONS WILL CLICK INTO PLACE**

**SLIDE SIGN INTO SLOT**



**TIGHTENING WHEEL IS REMOVABLE WHEN NECESSARY**