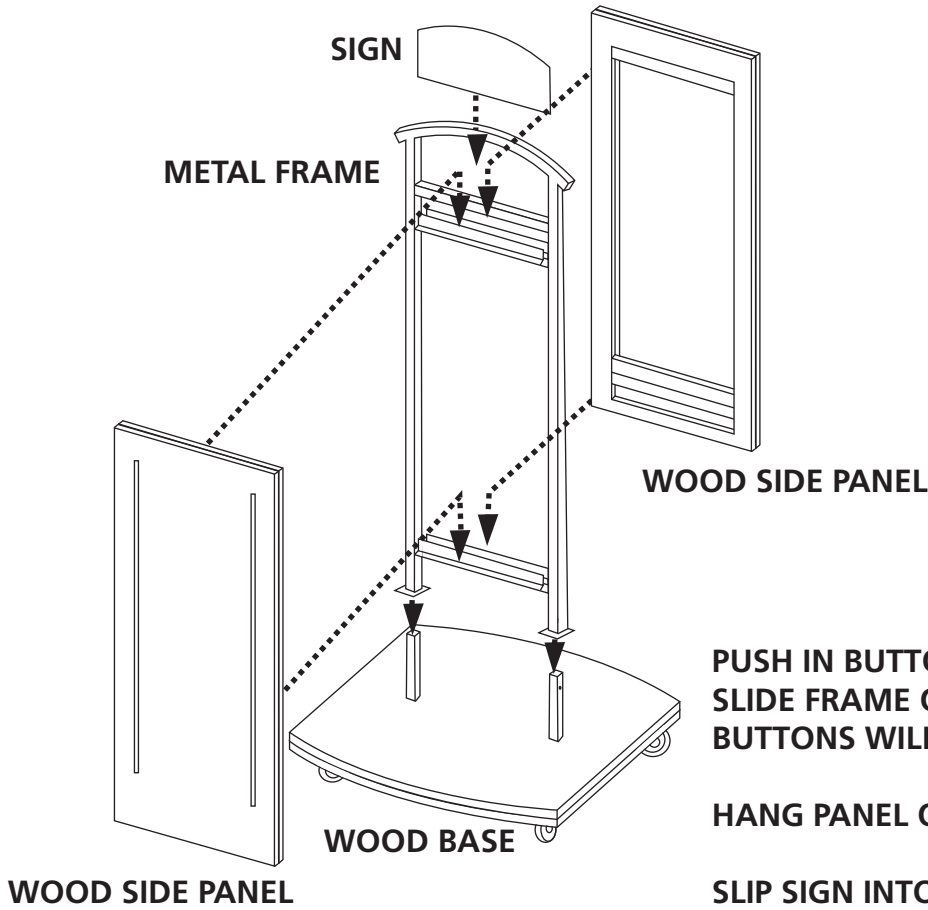
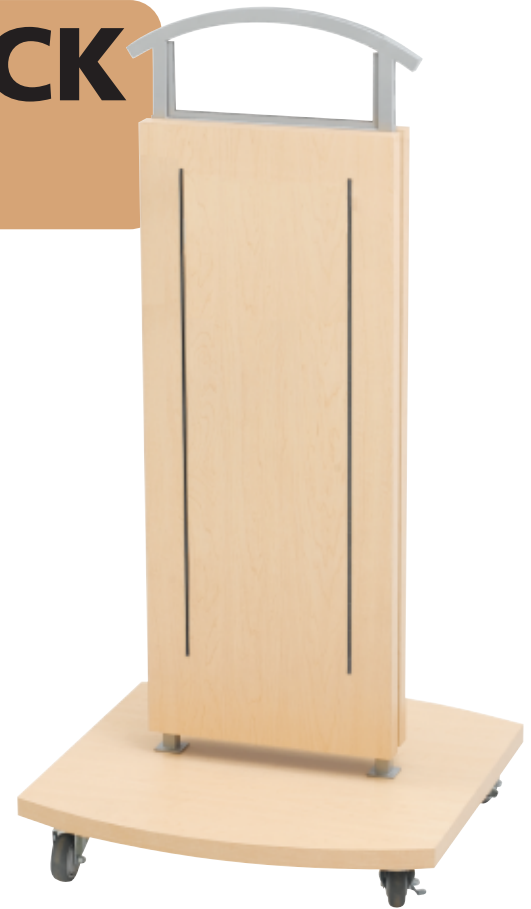


WOOD DISPLAY RACK

ASSEMBLY INSTRUCTIONS

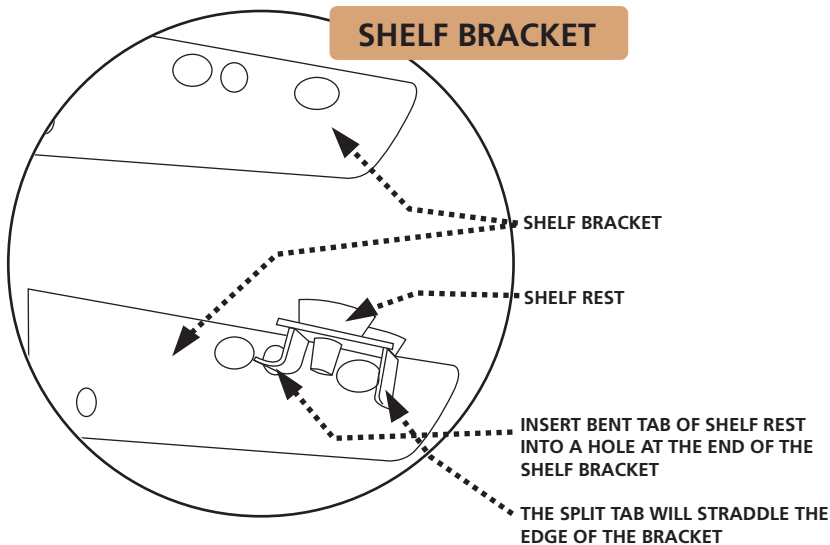


**PUSH IN BUTTONS
SLIDE FRAME ON TO BASE POSTS
BUTTONS WILL CLICK INTO PLACE**

HANG PANEL ON HANGING CLEATS

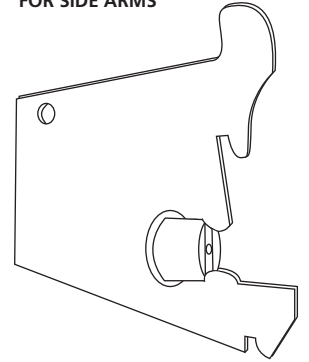
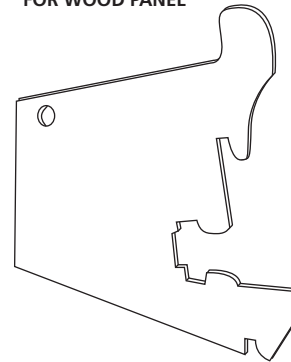
SLIP SIGN INTO SLOTS

SHELF BRACKET



END OF BRACKET
WITHOUT TIGHTENING WHEEL
FOR WOOD PANEL

END OF BRACKET
WITH TIGHTENING WHEEL
FOR SIDE ARMS



TIGHTENING WHEEL SHOULD BE REMOVED